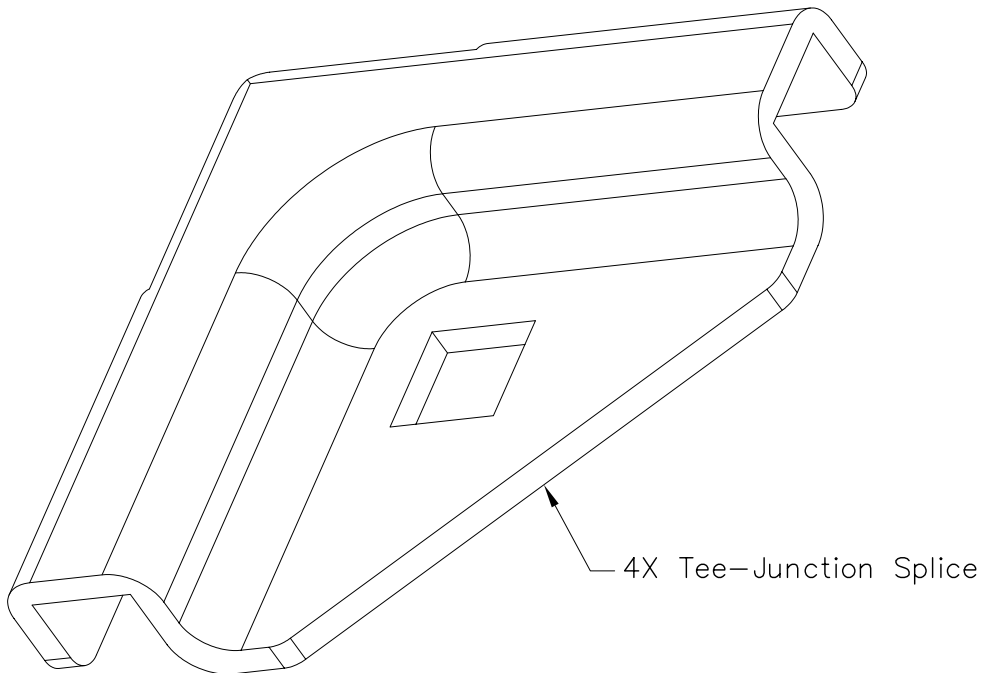


Tee-Junction Splice Runway Kit

PRODUCT SPECIFICATION

Package includes:

- A. Tee-Junction Splice, 4 pcs
- B. 3/8-16 x 1 1/2" Bolt, 2 pcs
- C. 3/8-16 Nut, 2 pcs
- D. 3/8 Lock Washer, 2 pcs



Features and Benefits:

- Designed with durable steel construction, black powder coated, providing strength and stability for long lasting use
- Designed to fasten runway sections together in a tee intersection
- Used with ICCMSLST ladder rack runways

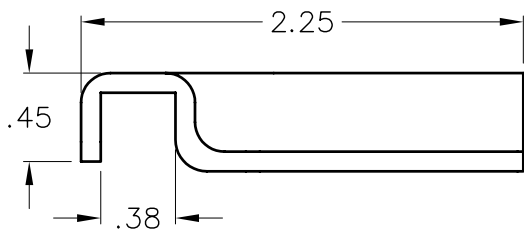
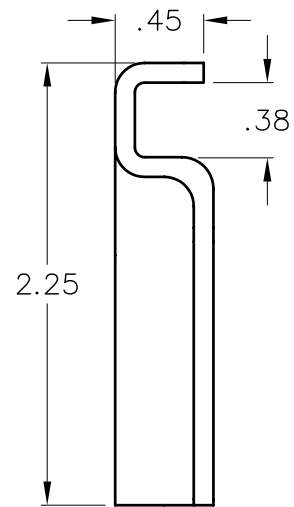
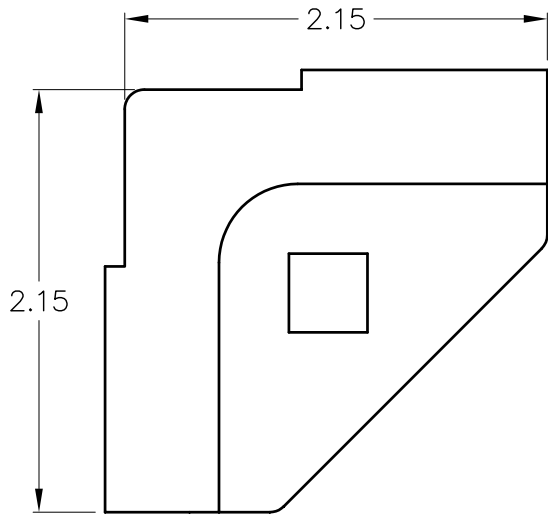
RUNWAY KIT, TEE-JUNCTION SPLICE, 2 EA

ITEM NO.	ICCMSLTJSK
DWG NO.	PSCMSLTJSK

REV.	A
PAGE NO.	1




CUSTOMER CARE / TECHNICAL SUPPORT * CSR@ICC.COM / 888-ASK-4-ICC (275-4422) * 16800 Edwards Road, Cerritos, CA 90703 * Phone 562-356-3111 * Fax 562-356-3100 * www.icc.com



NOTE: UNLESS OTHERWISE SPECIFIED

- 1. MATERIAL: 12 GA CRS
- 2. SURFACE FINISH: BLACK POWDER COAT

RUNWAY KIT, TEE-JUNCTION SPLICE, 2 EA		 <i>PremiumProducts</i> <i>ProvenPerformance</i> <i>CompetitivePrices</i>	
ITEM NO.	ICCMSLTJSK		REV. A
DWG NO.	PSCMSLTJSK	PAGE NO.	2

CUSTOMER CARE / TECHNICAL SUPPORT * CSR@ICC.COM / 888-ASK-4-ICC (275-4422) * 16800 Edwards Road, Cerritos, CA 90703 * Phone 562-356-3111 * Fax 562-356-3100 * www.icc.com