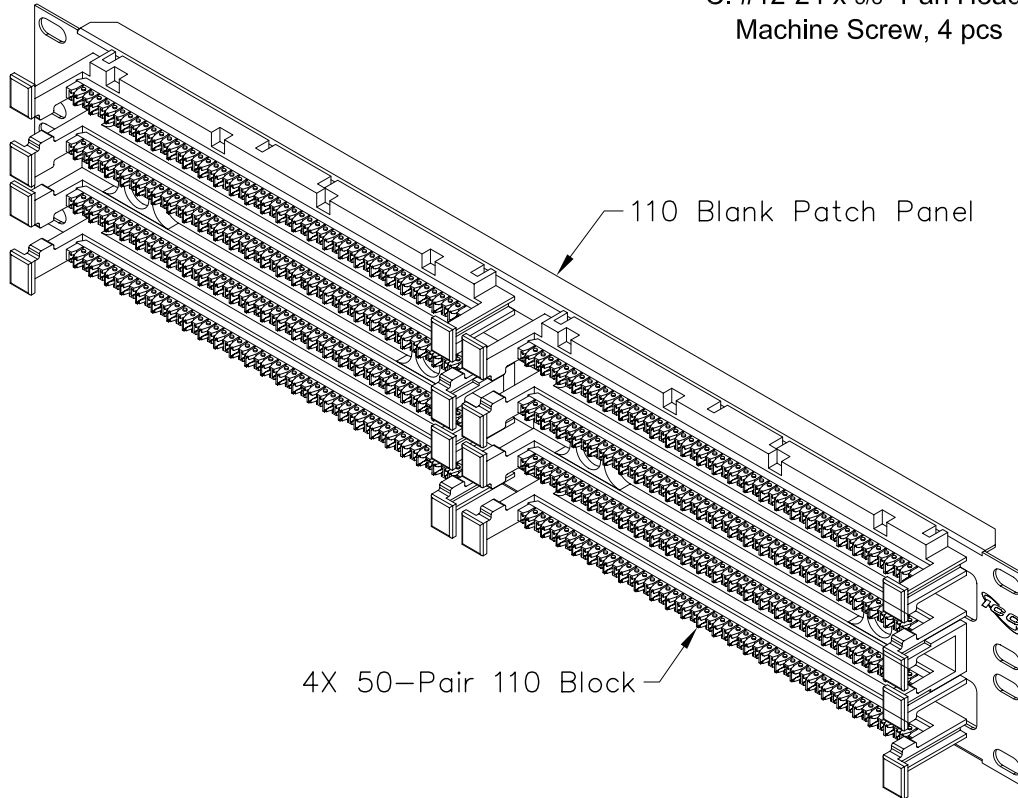


# 200-Pair 1 10 Patch Panel

## PRODUCT SPECIFICATION

### Package includes:

- A. 110 Blank Patch Panel, 1 pc
- B. 50-Pair 110 Block, 4 pcs
- C. #12-24 x 5/8" Pan Head, Pilot Point Machine Screw, 4 pcs



### Features and Benefits:

- Rack mounted reinforced steel panel with four 50-pair 110 blocks
- Designed to support the distribution of voice and data needs for commercial or residential applications
- Designed with rear cable entry for flexibility
- Designed to fit all standard 19" racks and cabinets
- 2 rack mount space (RMS)
- Used with IC110CB 110 connecting blocks, ICACSPDT00 and ICACSPDT05 110 punch down tools
- UL Listed

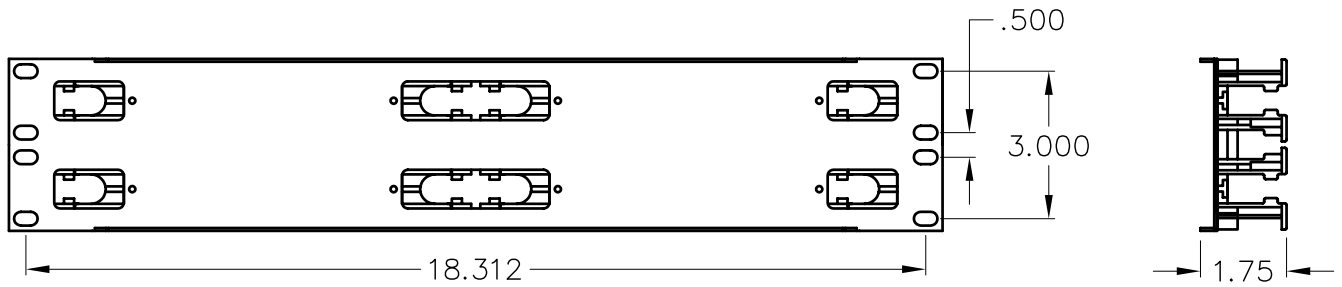
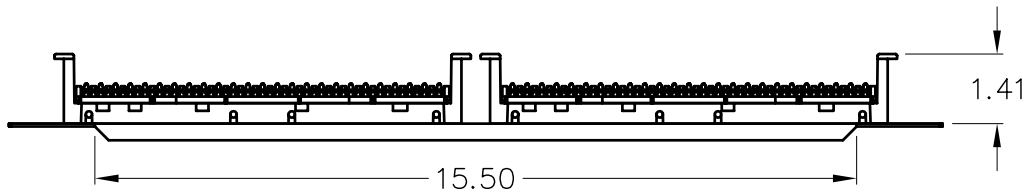
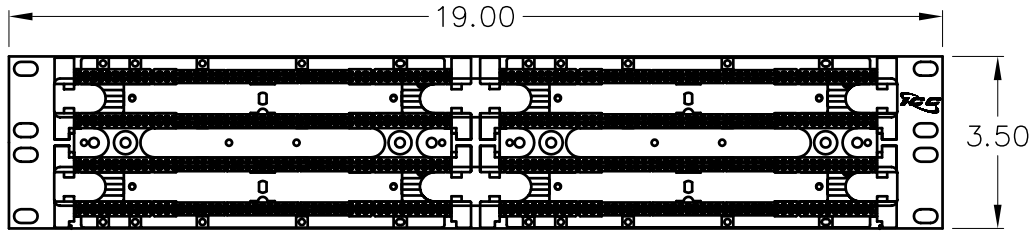
### PATCH PANEL, 1 10, 200-PAIR, 2 RMS

ITEM NO.	IC110RM200
DWG NO.	PS110RM200

REV.	A
PAGE NO.	1




CUSTOMER CARE / TECHNICAL SUPPORT \* CSR@ICC.COM / 888-ASK-4-ICC (275-4422) \* 16800 Edwards Road, Cerritos, CA 90703 \* Phone 562-356-3111 \* Fax 562-356-3100 \* www.icc.com



**NOTE: UNLESS OTHERWISE SPECIFIED**

- 1. 110 BLANK PATCH PANEL:
  - A. MATERIAL: 16 GA CRS
  - B. SURFACE FINISHING: BLACK POWDER COAT
- 2. 50-PAIR 110 BLOCK:
  - A. MATERIAL: PC, UL 94V-0
  - B. COLOR: IVORY

UL US FILE NO. 125268

<b>PATCH PANEL, 110, 200-PAIR, 2 RMS</b>		 <b>Premium Products</b> <i>Proven Performance</i> <i>Competitive Prices</i>	
ITEM NO.	IC110RM200		REV. A
DWG NO.	PS110RM200	PAGE NO.	2

CUSTOMER CARE / TECHNICAL SUPPORT \* CSR@ICC.COM / 888-ASK-4-ICC (275-4422) \* 16800 Edwards Road, Cerritos, CA 90703 \* Phone 562-356-3111 \* Fax 562-356-3100 \* www.icc.com