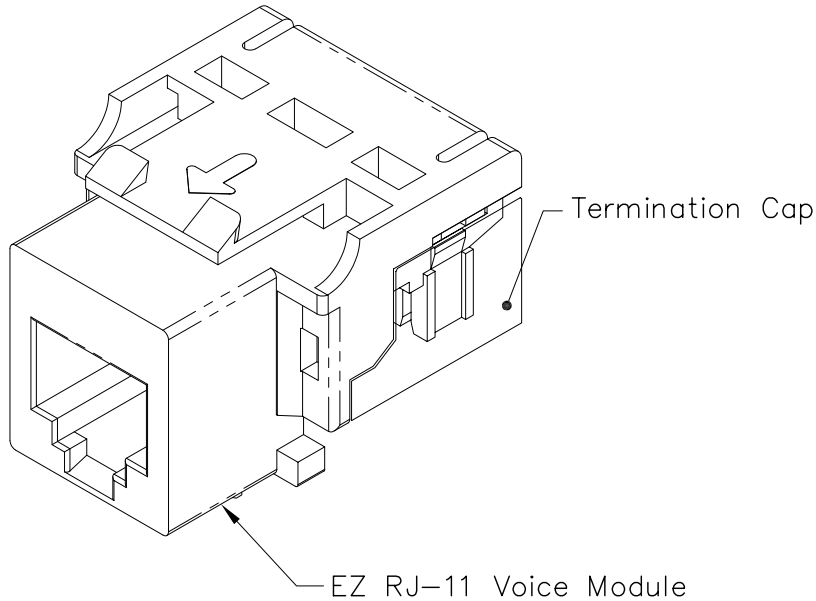


# 6P6C EZ RJ-1 1 Voice Module

## PRODUCT SPECIFICATION

### Package includes:

- A. 6P6C EZ RJ-11 Voice Module, 1 pc
- B. Termination Cap, 1 pc
- C. Installation Instructions, 1 sheet



### Features and Benefits:

- Designed for all voice connectivity applications
- Lead frame technology provides maximum performance and uninterrupted signal integrity
- Engineered to provide 110 IDC termination reducing installation time
- One piece termination cap allows for a quick and easy termination
- Includes an integrated USOC/UTP color wiring diagram
- Compatible with all IC107 faceplates, inserts, surface mount boxes, and blank patch panels
- Compatible with all IC108 furniture faceplates, bezels, and surface mount boxes
- Used with ICC ICLC2, ICLC4, ICLC6 line cords and 110 punch down tool ICACSPDT00
- Available in almond, black, blue, gray, green, ivory, orange, purple, red, white, and yellow
- Installation instructions #MSR-0235 included
- UL listed

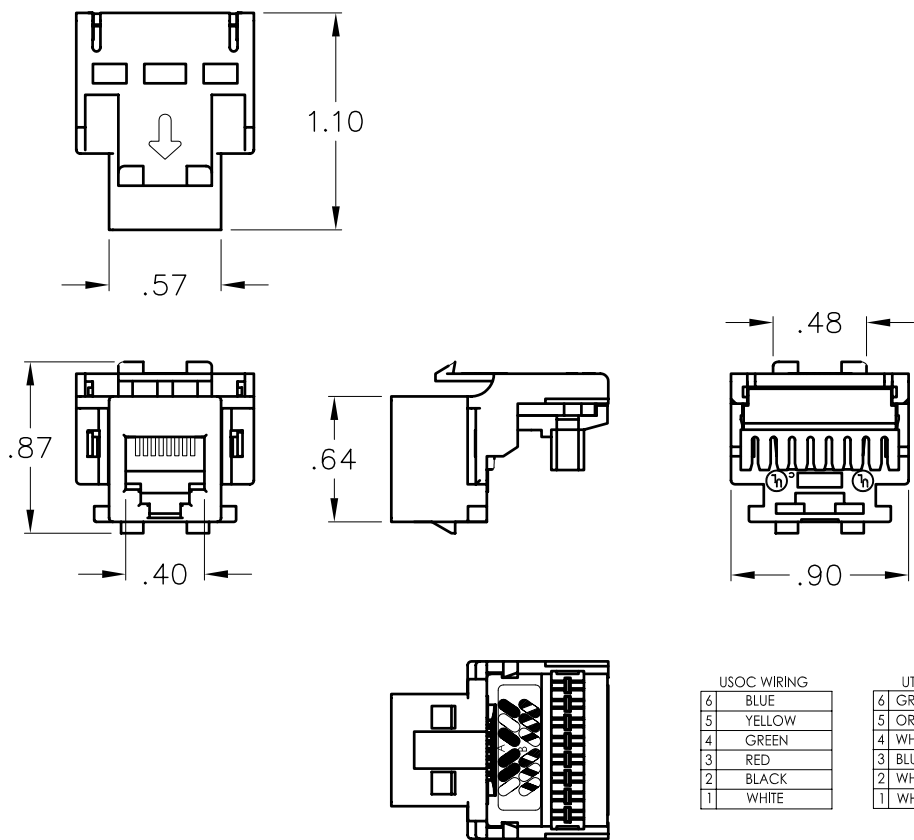
### MODULE, VOICE, RJ-1 1, EZ

ITEM NO.	IC1076V0XX
DWG NO.	PS1076V000

REV.	A
PAGE NO.	1



CUSTOMER CARE / TECHNICAL SUPPORT \* CSR@ICC.COM / 888-ASK-4-ICC (275-4422) \* 16800 Edwards Road, Cerritos, CA 90703 \* Phone 562-356-3111 \* Fax 562-356-3100 \* www.icc.com



USOC WIRING		UTP WIRING	
6	BLUE	6	GREEN
5	YELLOW	5	ORANGE
4	GREEN	4	WHITE/BLUE
3	RED	3	BLUE
2	BLACK	2	WHITE/ORANGE
1	WHITE	1	WHITE/GREEN

**NOTE: UNLESS OTHERWISE SPECIFIED**

1. RJ-11 VOICE MODULE:

A. ELECTRICAL:

- CURRENT RATING: 1.5 AMPS MAX
- VOLTAGE RATING: 150 VOLTS ALTERNATING
- DIELECTRIC WITHSTANDING VOLTAGE: 1000 VOLTS RMS, 60 HZ
- INSULATION RESISTANCE: > 10 MOHMS

B. MECHANICAL:

- MATED FORCE: 5 LBS MAX
- UNMATED FORCE: 5 LBS MAX
- PLUG RETENTION FORCE: 20 LBS MIN
- DURABILITY: 750 CYCLES

C. PHYSICALS:

- HOUSING: ABS, UL 94V-0
- CONTACT: PHOSPHOR BRONZE GOLD PLATING OVER 100 INCHES OF NICKEL
- GOLD PLATING: 1.27 MICRON/50 MICRO INCH MIN
- CONNECTOR: INSULATION DISPLACEMENT CONNECTOR (IDC)  
ACCEPTS 22~24 AWG SOLID WIRE


D. COLORS: XX: AL-ALMOND, BK-BLACK, BL-BLUE, GN-GREEN, GY-GRAY, IV-IVORY, OR-ORANGE, PR-PURPLE, RD-RED, WH-WHITE, & YL-YELLOW

2. TERMINATION CAP:

- A. MATERIAL: PC, UL 94V-0
- B. COLOR: LIGHT GRAY

NEXT: (NEAR END CROSS TALK)	1 MHz > 65 dB
	10 MHz > 50 dB
	16 MHz > 46 dB
	20 MHz > 44 dB
INSERTION LOSS:	
	10 MHz > 0.008 dB
	16 MHz > 0.02 dB

UL US FILE NO. 125268

<b>MODULE, VOICE, RJ-11, EZ</b>		 Premium Products Proven Performance Competitive Prices
ITEM NO.	IC1076V0XX	
DWG NO.	PS1076V000	PAGE NO. 2

CUSTOMER CARE / TECHNICAL SUPPORT \* CSR@ICC.COM / 888-ASK-4-ICC (275-4422) \* 16800 Edwards Road, Cerritos, CA 90703 \* Phone 562-356-3111 \* Fax 562-356-3100 \* www.icc.com