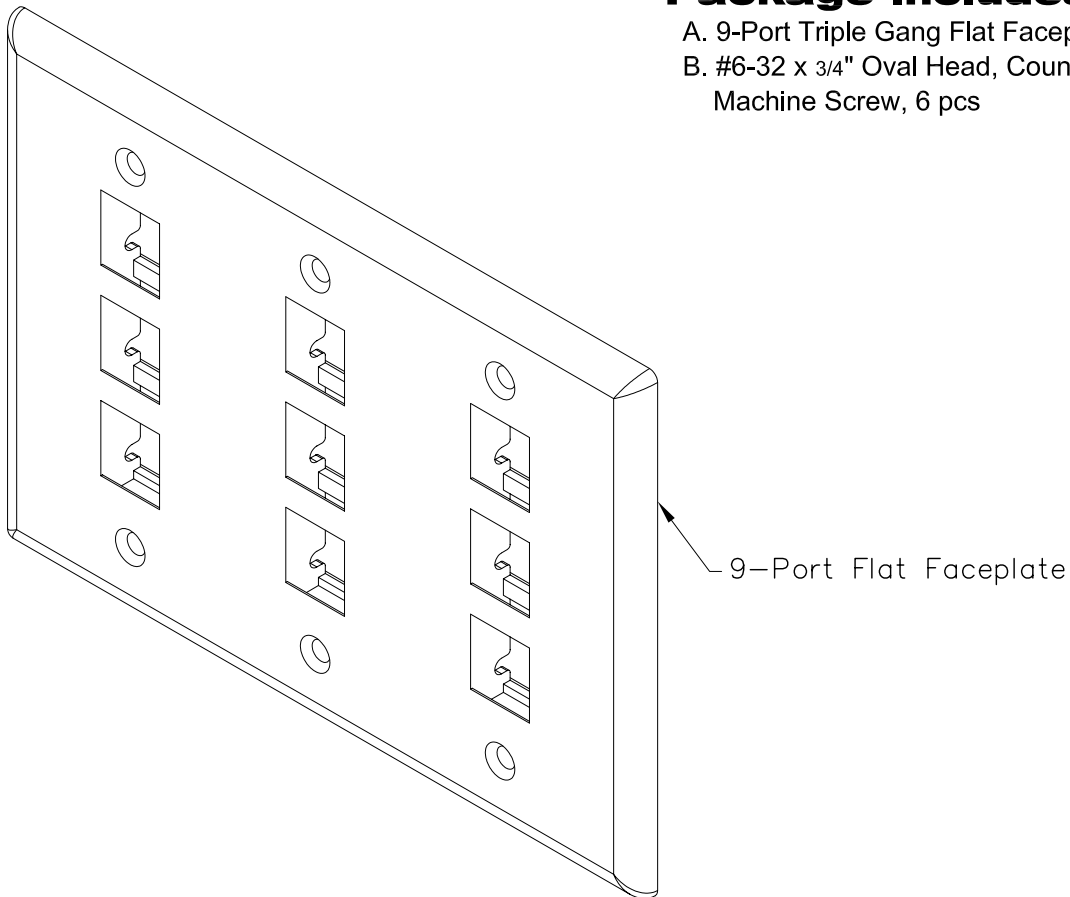


# 9-Port Triple Gang Flat Faceplate

## PRODUCT SPECIFICATION

### Package includes:

- A. 9-Port Triple Gang Flat Faceplate, 1 pc
- B. #6-32 x 3/4" Oval Head, Countersink Machine Screw, 6 pcs



### Features and Benefits:

- Configured to fit standard triple gang outlet box
- Designed to support the distribution of voice, data, and other communication needs to the work area for commercial or residential applications
- Rugged and durable construction
- Accommodates a wide variety of easy to snap-in modules, providing configuration flexibility
- Accepts all IC107 modules
- Available in gray, ivory, and white
- UL listed

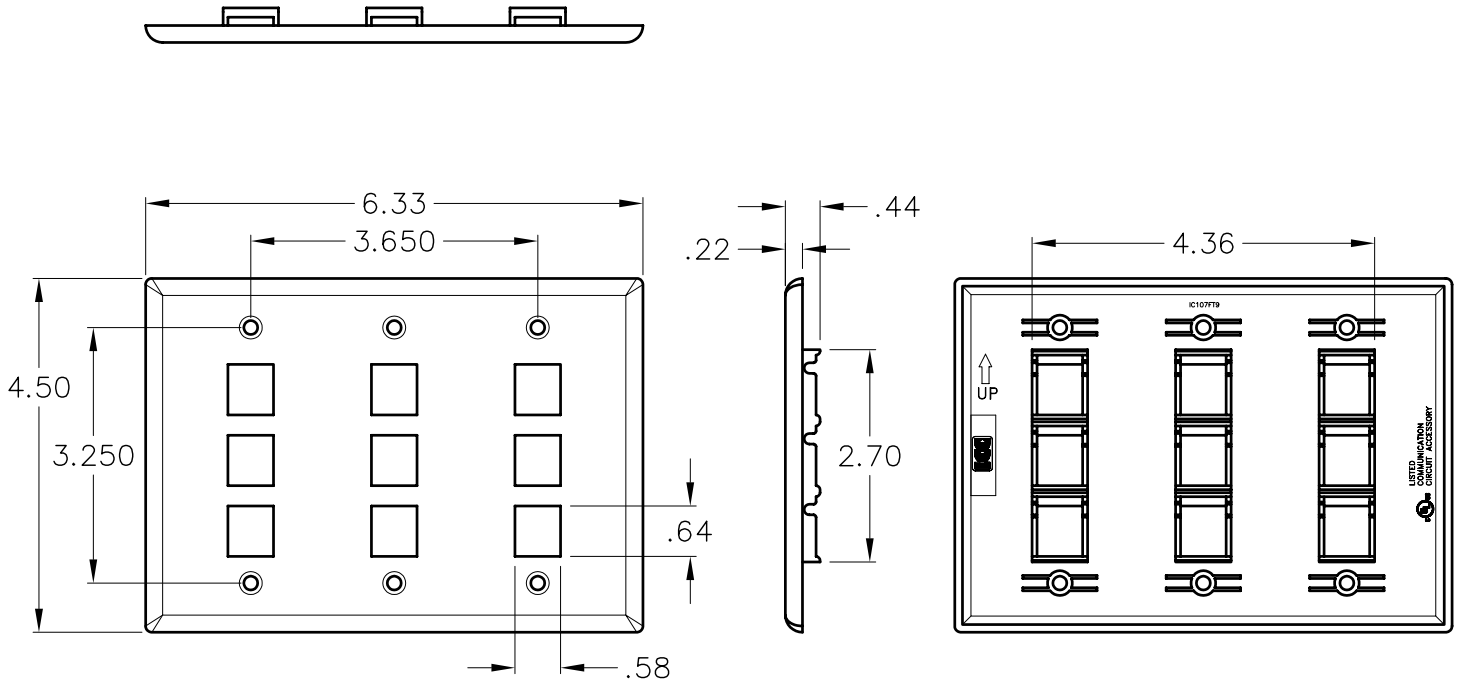
### FACEPLATE, FLAT, 3-GANG, 9-PORT

ITEM NO.	IC107FT9XX
DWG NO.	PS107FT900

REV.	A
PAGE NO.	1



CUSTOMER CARE / TECHNICAL SUPPORT \* CSR@ICC.COM / 888-ASK-4-ICC (275-4422) \* 16800 Edwards Road, Cerritos, CA 90703 \* Phone 562-356-3111 \* Fax 562-356-3100 \* www.icc.com



**NOTE: UNLESS OTHERWISE SPECIFIED**

1. MATERIAL: ABS, UL 94V-0
2. FINISH: TEXTURE
3. COLOR: XX: GY-GRAY, IV-IVORY, & WH-WHITE

UL US FILE NO. 125268

**FACEPLATE, FLAT, 3-GANG, 9-PORT**

ITEM NO. IC107FT9XX  
 DWG NO. PS107FT900

REV. A  
 PAGE NO. 2



CUSTOMER CARE / TECHNICAL SUPPORT \* CSR@ICC.COM / 888-ASK-4-ICC (275-4422) \* 16800 Edwards Road, Cerritos, CA 90703 \* Phone 562-356-3111 \* Fax 562-356-3100 \* www.icc.com