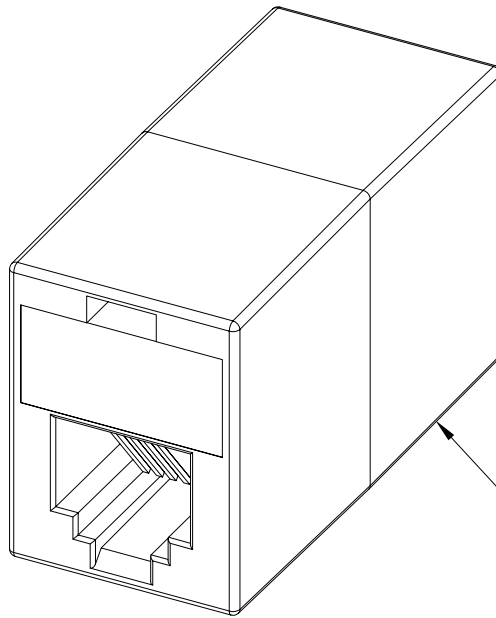


6P4C RJ-11 Voice Modular Coupler, PIN 2-5

PRODUCT SPECIFICATION

Package includes:

- A. 6P4C RJ-11 Voice Modular Coupler, 1 pc



6P4C RJ-11 Voice Modular Coupler

Features and Benefits:

- Provides pin 2-5 RJ-11 voice coupling
- Used with ICLC2, ICLC4, and ICLC6 line cords
- Available in ivory
- UL listed

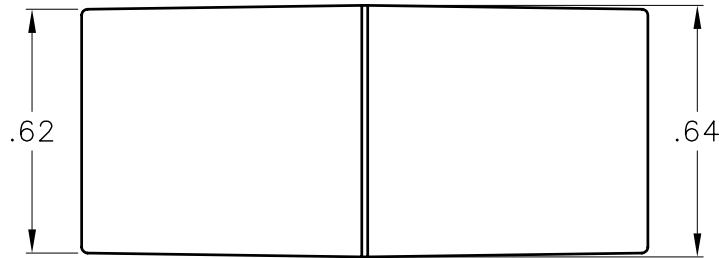
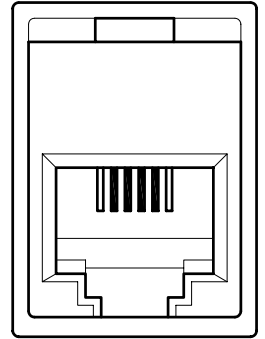
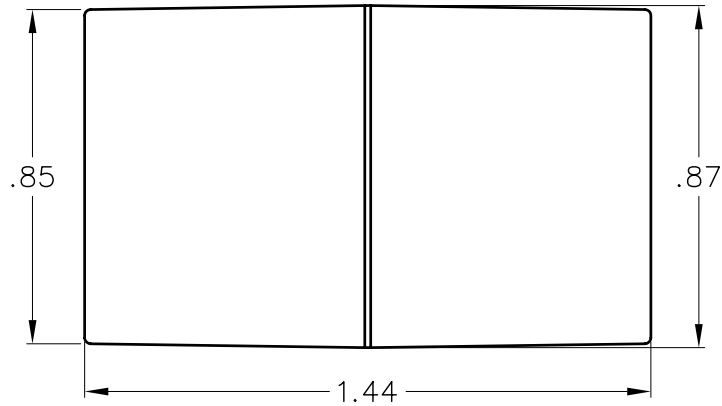
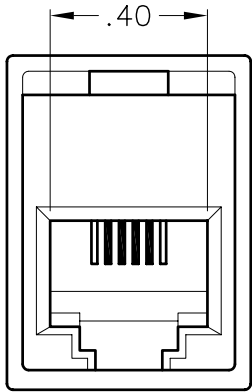
MODULAR COUPLER, VOICE 6P4C, PIN 2-5

ITEM NO.	ICMA350A4C
DWG NO.	PSMA350A4C

REV.	A
PAGE NO.	1



CUSTOMER CARE / TECHNICAL SUPPORT * CSR@ICC.COM / 888-ASK-4-ICC (275-4422) * 16800 Edwards Road, Cerritos, CA 90703 * Phone 562-356-3111 * Fax 562-356-3100 * www.icc.com



NOTE: UNLESS OTHERWISE SPECIFIED

1. MATERIAL & FINISH:

- A. HOUSING: ABS, UL 94V-0
- B. COLOR: IVORY
- C. CONTACT: PHOSPHOR BRONZE GOLD PLATING
OVER 100 MICRO INCH NICKLE
- D. GOLD PLATING: 1.27 MICRON/50 MICRO INCH MIN

WIRING DIAGRAM :

4 CONDUCTORS	
PIN	PIN
2	5
3	4
4	3
5	2

UL US FILE NO. 125268

MODULAR COUPLER, VOICE 6P4C, PIN 2-5

ITEM NO. ICMA350A4C
 DWG NO. PSMA350A4C

REV. A
 PAGE NO. 2



CUSTOMER CARE / TECHNICAL SUPPORT * CSR@ICC.COM / 888-ASK-4-ICC (275-4422) * 16800 Edwards Road, Cerritos, CA 90703 * Phone 562-356-3111 * Fax 562-356-3100 * www.icc.com