

## Feature Operation

Auto Dial			
store	AutoDial		▶AutoDial
use		AutoDI	
display	Disply	AutoDI	
Hold			
place a call on hold			
return to a held call			
Transfer			
Trans		▶Trans	
Handsfree (if configured)			
activate			
switch to handset			
handset to handsfree			
Mute (On/Off)			
Conference			
Conf		▶Conf	
Corporate Directory			
Shift			
Last Number Redial			
Ring Again			
activate	RngAgn		
when notified		▶RngAg	
Quit	▶RngAg		
Call Forward			
activate	FWD		▶FWD
Quit	▶FWD		
reinstate	FWD	▶FWD	
view number	Disply	▶FWD	
Call Pickup			
	Pickup		
Call Waitingpc			
answer		▶CWT	
return to first call			
Message			
Directory			

## Explanations

Legend	
	Lift the handset, or press the DN key, or press the Handsfree key.
	Replace handset, or press  to end the call.
	Dial a number.



Press the line (DN) key.

▶AutpoDI The ▶ flashes when a feature is being programmed. The ▶ lights steadily when a feature is active.

## Your i2002 Telephone Option Menu

### Services Menu

#### Access the Services Menu

Select

The Services menu contains the Telephone Option, Virtual Office, and Branch Office menus (if Virtual Office and Branch Office have been configured for your telephone).

#### Telephone Option

##### Volume adjustment

Ringer	Select		Select	Quit	Quit
Handset Listen	Select		Select	Quit	Quit
Handsfree Listen	Select		Select	Quit	Quit
Headset Listen	Select		Select	Quit	Quit
Buzzer	Select		Select	Quit	Quit

##### Contrast adjustment

Select Quit

##### Language

Select Select Quit

##### Date/time format

Select Quit

##### Display diagnostics

Quit

##### Local Dialpad Tone

None Short Click DTMF

##### Ring type

Play Select Quit

##### OnHook Default Path

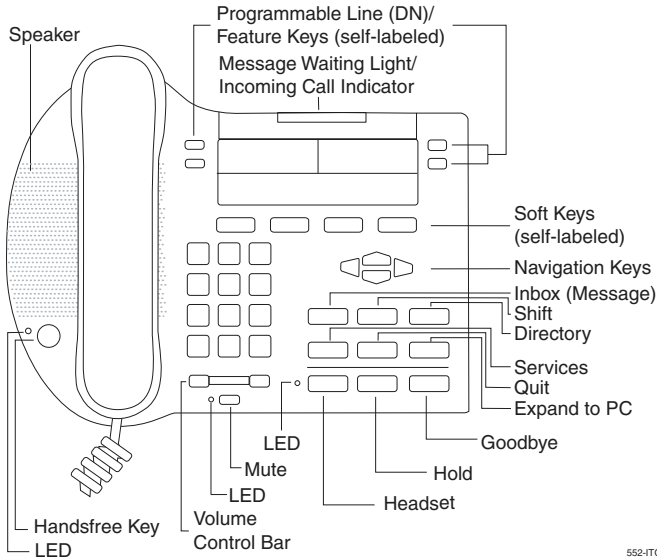
Select Quit

##### Set Feature Key label

Feature Key	Enter new label			
Select	Delete	Clear	More..	

For additional information on the operation of your internet telephone, please consult the *i2002 Internet Telephone User Guide*.

**Introducing the i2002 Internet Telephone**



# i2002 Internet Telephone

For Meridian 1, Succession 1000, and  
Succession 1000M

## Quick Reference Card

