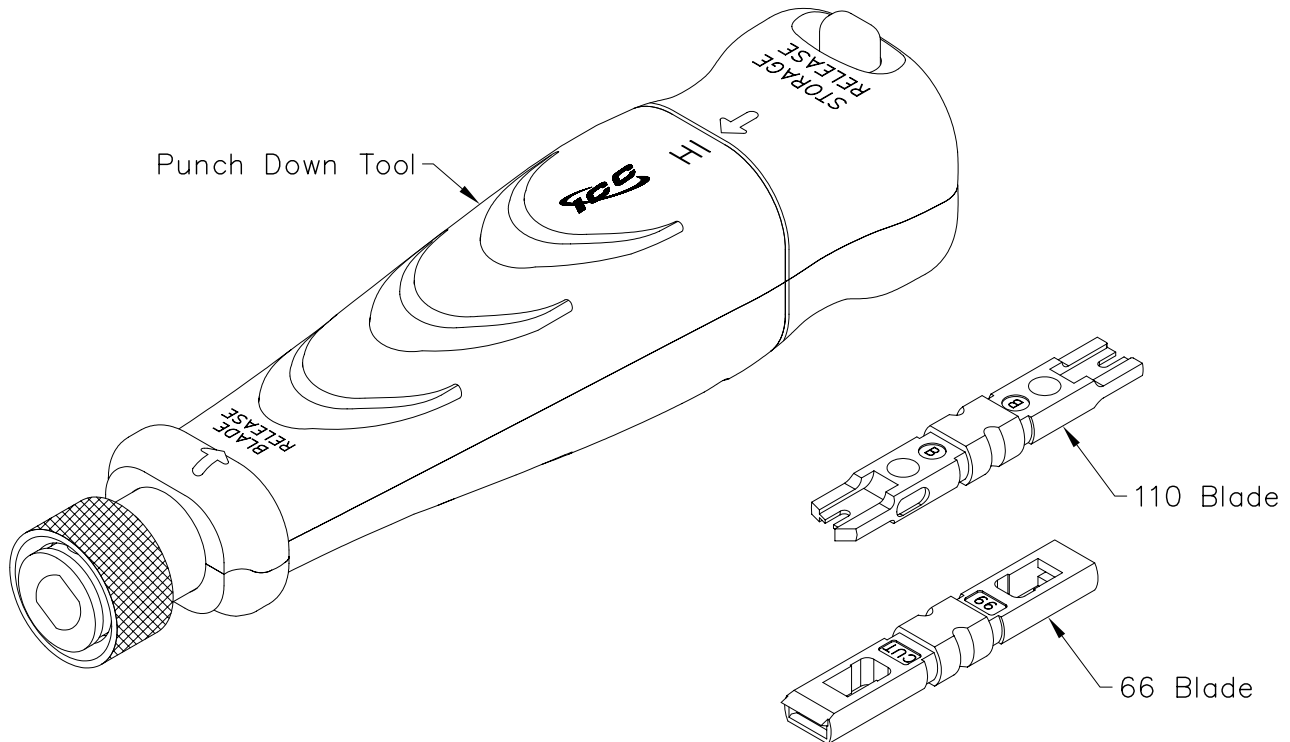


110 & 66 Punch Down Tool

PRODUCT SPECIFICATION

Package includes:

- A. Punch Down Tool, 1 pc
- B. 110 Blade, 1 pc
- C. 66 Blade, 1 pc
- D. Blade Cap, 1 pc
- E. Instructions, 1 sheet



Features and Benefits:

- Designed for both 110 and 66 single-wire termination with both blades included
- Ergonomic design for fast, comfortable, and reliable termination
- High and low impact settings allowing more flexibility during punch down operations
- Low impact setting allows punching down wiring blocks and 110 patch plugs, modules, faceplates, and patch panels with IDC termination, and high impact setting is used when seating 110 connecting blocks into 110 wiring blocks
- Instructions included

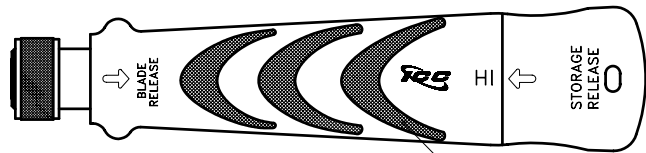
TOOL, 110 & 66 PUNCH DOWN, SINGLE BLADE

ITEM NO.	ICACSPDT00
DWG NO.	PSACSPDT00

REV.	A
PAGE NO.	1



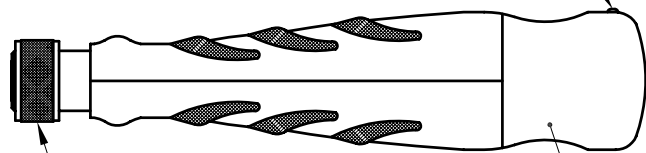
CUSTOMER CARE / TECHNICAL SUPPORT * CSR@ICC.COM / 888-ASK-4-ICC (275-4422) * 16800 Edwards Road, Cerritos, CA 90703 * Phone 562-356-3111 * Fax 562-356-3100 * www.icc.com



BLUE SIDE

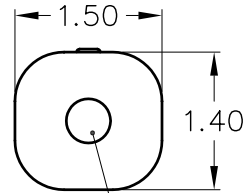
TEXTURED BLACK RUBBER INSERTS

BLUE PUSH BUTTON FOR RELEASE OF BLADE FROM STORAGE

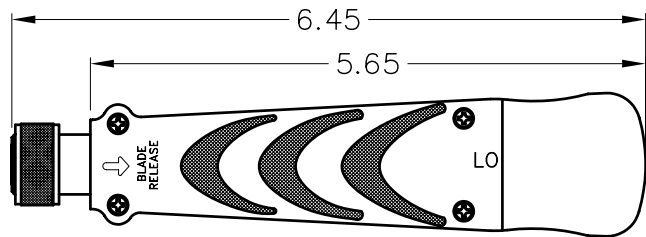


RING LOCK FOR BLADE RETENTION

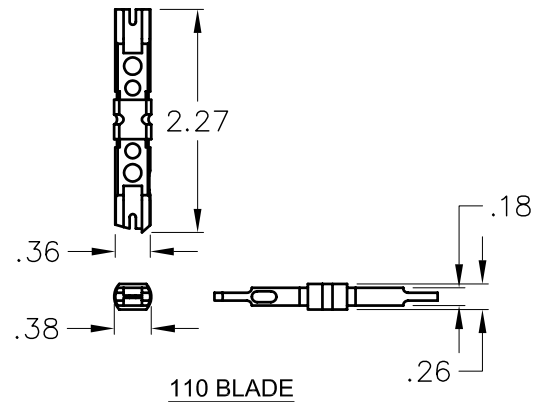
TEXTURED BLACK RUBBER



BLADE STORAGE WITH INNER LATCH



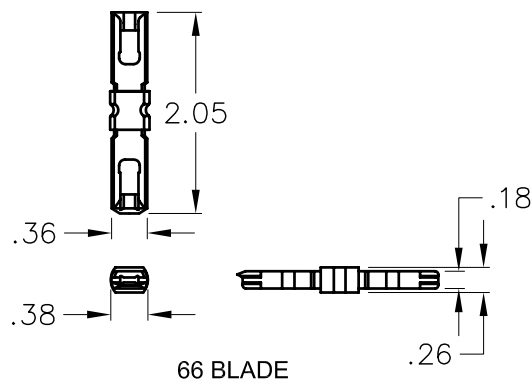
YELLOW SIDE



110 BLADE

NOTE: UNLESS OTHERWISE SPECIFIED

1. MATERIAL:
 - A. BODY: ABS, FIBER, AND THERMOS PLASTIC RUBBER
 - B. NECK: CRS
 - C. BLADE: AISI 4140
2. COLOR:
 - A. BODY: BLUE AND YELLOW
 - B. RUBBER INSERTS: BLACK
 - C. NECK: PLATED BLACK
3. FINISH:
 - A. BODY: MATTED TEXTURE
4. HARDNESS:
 - A. BLADE: HRC 40~52°
5. MECHANICAL:
 - A. LOW IMPACT: 11 KGS (FOR 24 & 26 AWG WIRES)
 - B. HIGH IMPACT: 15 KGS (FOR 22 AWG WIRES)



66 BLADE

TOOL, 110 & 66 PUNCH DOWN, SINGLE BLADE		
ITEM NO.	ICACSPDT00	
DWG NO.	PSACSPDT00	PAGE NO. 2

CUSTOMER CARE / TECHNICAL SUPPORT * CSR@ICC.COM / 888-ASK-4-ICC (275-4422) * 16800 Edwards Road, Cerritos, CA 90703 * Phone 562-356-3111 * Fax 562-356-3100 * www.icc.com