



# TECHNICAL Practice

**TELECOM SOLUTIONS FOR THE 21ST CENTURY**

**HF-3W**

**Handsfree Talkback  
Amplifier**

May 25, 2000

## **Allow Employees to Respond to Paging Messages, Handsfree!**



The **HF-3W** handsfree paging unit allows employees to respond to a paging message without reaching for the telephone. It is perfect for use in city desks, shipping and service applications where quick answers are needed.

The **HF-3W** generates its own talk battery and will interface with unused trunk ports on PABX's and key systems, and single line phones, as well as some telephone systems with a two-way paging port and a contact closure.

Simply page the intended employee with a question and they can respond by speaking toward the paging horn.

Paging and talk-back volume sensitivity controls are provided.

### **Features**

- Improved audio circuitry
- Alert tone
- Selectable "Push-to-Talk" feature for noisy environments
- 28V DC talk battery
- 3 watts of paging power
- Compatible with some two-way paging ports
- Background music input
- May be integrated into existing paging system
- (1) 25AE paging horn included
- 25-50 foot talk-back range
- Optional second speaker may be added

**Phone...715.386.8861**

**info@vikingelectronics.com**

**http://www.vikingelectronics.com**

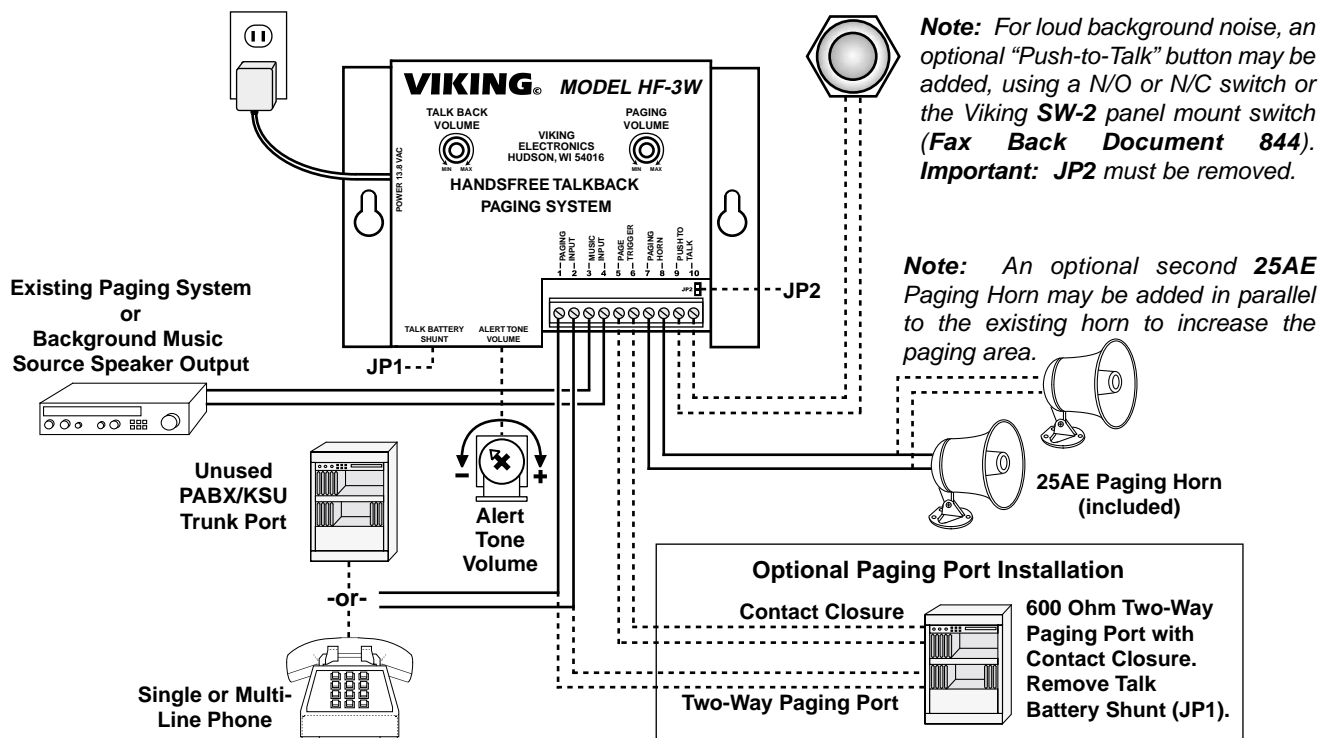
### **Applications**

- City desks
- Shipping docks
- Manufacturing plants
- Service desks
- Warehouses
- Schools
- Parts departments

### **Specifications**

**Power:** 120V AC/13.8V AC 1.25A, UL listed adapter provided  
**Dimensions:** 133mm x 89mm x 44mm (5.25" x 3.5" x 1.75")  
**Shipping Weight:** 1.36 kg (3 lbs.)  
**Environmental:** 0°C to 32°C (32°F to 90°F) with 5% to 95% non- condensing humidity  
**Talk Battery:** 28V DC  
**Speaker:** (1) 25AE 8 ohm 5 watt horn included, (2) maximum  
**Maximum Speaker Run:** 152 m (500 ft) maximum, 18 AWG  
**Amplifier:** 3 watt output power  
**Connections:** 10 pin screw terminal strip

# Installation



# Programming

## A. Normal Background Noise Environment

1. Under normal background noise levels, set the **Paging Volume** control so that the page may be heard as required. Then set the **Talk Back Volume** control in the middle (12 o'clock) position.
2. Test talk-back to be sure that the **HF-3W** will switch between paging and talk-back for your desired operating distance and noise level.
3. Adjust the **Talk Back Volume** control as necessary for your environment. The louder the background noise level, the more you will have to decrease the **Talk Back Volume** and the shorter your talk-back distance will be.

## B. Loud Background Noise Environment

If the background noise is too loud for the **HF-3W**'s VOX circuit to operate properly, you will need to add a "push-to-talk" button across screw terminals **9** and **10**, and remove shunt **JP2**. The "push-to-talk" button may be installed at either the telco end or the speaker end. Use a normally open switch for the telco side or use a normally closed switch for the speaker side.

## C. Two-Way Paging Port Interface

If the **Paging Input** is to be connected to a paging port, the paging port must allow two-way talk path and provide a contact closure during paging. Disable the Talk Battery by removing the **Talk Battery Shunt (JP1)** before connecting to the paging port.

## D. Page Alert Tone

If a page alert tone is not required, set the **Alert Tone Volume** to minimum (see diagram above).

# Operation

When sitting idle, the **HF-3W** allows audio from a background music source or an existing paging system's speaker output to pass through to the paging horn.

Handsfree talk back paging is achieved by either accessing the two-way paging port, accessing the unused trunk port, or coming off-hook on the single/multi-line phone. At this time, the background music is muted, a page alert tone is given and paging with talk back is enabled.

**Product Support Line...715.386.8666**

**Fax Back Line...715.386.4345**

Due to the dynamic nature of the product design, the information contained in this document is subject to change without notice. Viking Electronics, and its affiliates and/or subsidiaries assume no responsibility for errors and omissions contained in this information. Revisions of this document or new editions of it may be issued to incorporate such changes.