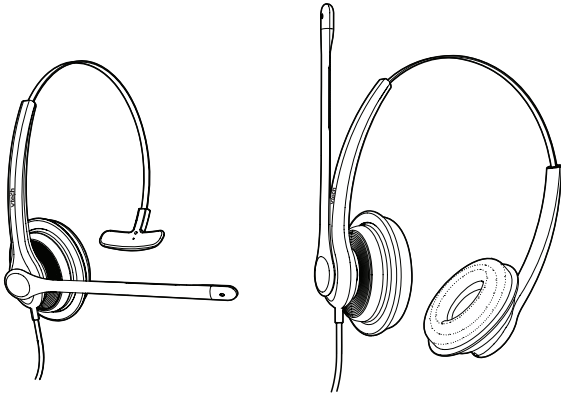


Go to [businessphones.vtech.com](http://businessphones.vtech.com)  
for the compatible SIP phone models  
and the latest VTech product news.

A100M  
A100D

Wired Headset

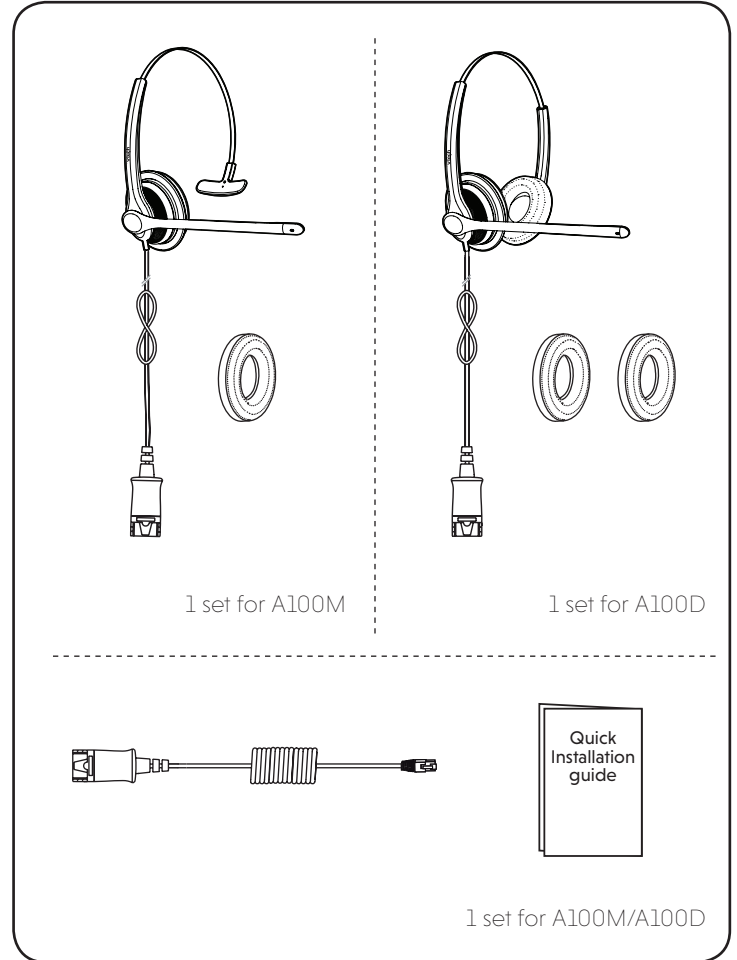


**vtech**<sup>®</sup>

Quick installation guide

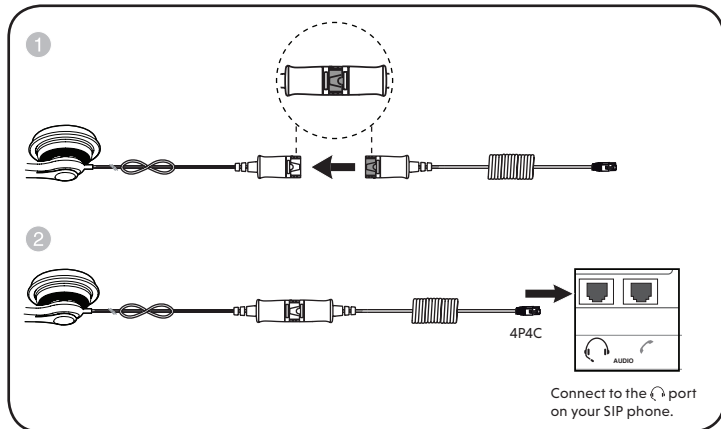


What's in the box

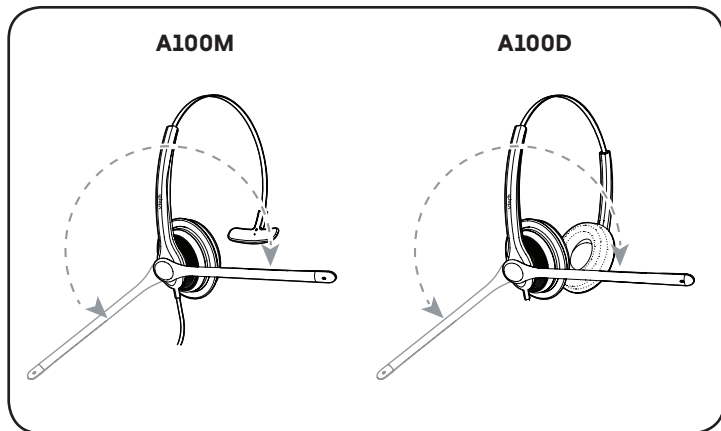




## Connect



## Adjust angle



## Important safety instructions

- This device is for indoor use only! **NOT FOR OUTDOOR USE!**
- Do not install the device in rooms with high humidity (for example, in bathrooms, laundry rooms, damp basements).
- Do not immerse the device in water and do not spill or pour liquids of any kind onto or into the device.
- Do not use the device during thunderstorms. Lightning striking the power grid may cause electric shocks.
- **Warning:** The earpiece contains a magnet, and it may attract small dangerous objects such as needles or pins. Please ensure before each use that no such objects are present.

## Standards conformance



This device meets US health, safety, and environmental standards. Unauthorized opening, changing, or modifying the device will cause the warranty to lapse and may also result in the loss of FCC conformity. In case of malfunction contact authorized service personnel, your seller or VTech.

- Safety: IEC 60950
- Connector:
  - Quick Release (QR) modular plug
  - Quick Release (QR) coil cord to 4P4C phone jack

## Cleaning

To clean the device, use an anti-static cloth. Please avoid cleaning liquids as they might damage the surface or internal electronics of the device.

## Customer service

For customer service, visit [businessphones.vtech.com](http://businessphones.vtech.com) or call **1 (800) 595-9511**.



Specifications are subject to change without notice.  
© 2018 VTech Communications, Inc.  
All rights reserved. 03/18. A100M\_A100D\_CIB\_V1